



FUSION SERIES

Circuit Protection RCD'S

Data Specification **2023**



AUSTRALIA WIDE DELIVERY
Expedited delivery to all states in Australia



SAME DAY DISPATCH
Orders prior to 12PM will be dispatched the same day



5 YEAR WARRANTY
You can get a trusted 5 Year In House Warranty with CSG

[DESCRIPTION]

The FUSION Series range of electromagnetic Residual Current Devices have been designed to comply with AS/NZS 61008.1 and are made from the highest grade components to ensure reliability in all applications where the protection against earth leakage and residual current is required. The 10kA rated breaking capacity of these residual current devices makes them the perfect choice for ultimate safety protection in a wide variety of applications. Available in 1P+N and 3P+N, 25A to 63A.

[FEATURES]

- Type A
- Electromagnetic
- High Short Circuit Capacity
- ON/OFF Indicators
- 35mm DIN Rail Mounting
- Lockable Toggle

[TECHNICAL PARAMETERS]

- Rated Voltage:
2 Pole 240V AC
4 Pole 415V AC
- Rated Frequency: 50/60Hz
- Rated Current: 10000A
- Rated Residual Current: 30mA and 100mA
- Cable Termination: 35mm²
- Torque of Screw: 2.5Nm
- Complies with:
AS/NZS 61008.1:2015

[APPROVALS]

SAA Approved
ESV Compliant

[IMAGES]



RCD21040



RDC41040

FUSION

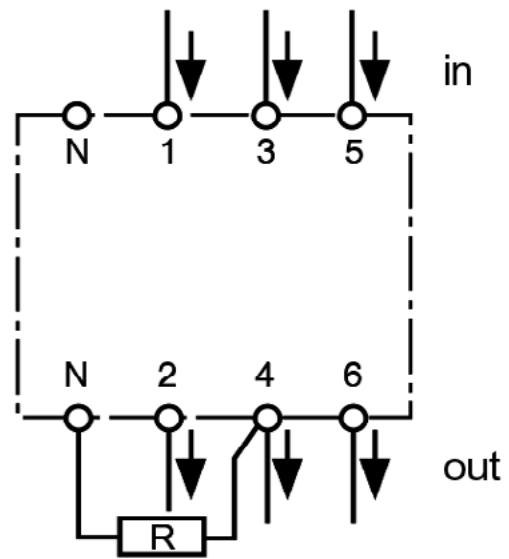
[SPECIFICATIONS]

Product Code	Poles	Voltage (V)	Amperage (kA)
RCD21025	2	240V	25A
RCD21040	2	240V	40A
RCD21063	2	240V	63A
RCD41025	4	415V	25A
RCD41040	4	415V	40A
RCD41063	4	415V	63A
RCD41063-100	4	415V	63A

[WIRING DIAGRAM]

3 Phase Connection - Without Neutral

NOTE: RCD's will function even without a neutral supply or load. However, when installing an RCD to a circuit without the supply of a neutral connection, for the test button to operate correctly, the connection of a bridging resistor (R2.4W not supplied) between the load side neutral terminal and load side phase terminal 2 or 4 is required. Failure to include a bridging resistor in these installations may result in damage to the test circuit.



[WARRANTY]

Connected Switchgear FUSION series of product come with a trusted 5 Year In House Warranty. That means that you have peace of mind knowing that if a fault develops within a five year period, Connected Group Australia will cover the cost of replacing the product and it's installation.*

* See our website for full terms and conditions www.connectedswitchgear.com.au

[RELATED PRODUCTS]



MCB1610D



RCBO2610



MS3100

FUSION