

Installation Guide

MLDR300 MLDR300B



Table of Contents

- Section
- 1.0 Product Range
- 2.0 Description
- 3.0 Features
- 4.0 Electrical Specification.....
- 5.0 Load Compatibility
- 6.0 Wiring Diagram
- 7.0 Installation
- 8.0 Warranty Statement.....

1.0 Product Range

Description
Rotary Controlled LED Dimmer, 350 VA

2.0 Description

The LED Dimmer is a rotary controlled modular dimmer mechanism rated at 300W. Up to six dimmer mechanisms can be installed in a plate.*

Designed for LED lamps, the unit utilises powerful and sophisticated dimming technology to provide control.

The LED Dimmer also incorporates over-current and thermal fuse cut off (non-recoverable) protection devices and is capable of withstanding persistent short circuit conditions.

*Derate load for multi gang installations - refer section 4.

3.0 Features

- Modular dimming mechanism
- Two wire phase control wall plate dimmer
- Soft start for lamp and driver life
- Provide optimised dimming of LED based lamps and drivers
- Compatibility with incandescent lamps, 240V halogen lamps, low voltage halogen lamp with dimmable electronic transformer etc.
- Wall or architrave mounting options
- Suitable for new installations or retro-fit applications
- Inbuilt over-current and over-temperature protection
- Full short circuit protection
- Immune to high frequency (ripple) signal injection on mains supply
- Complies with Australian and International EMC Standards

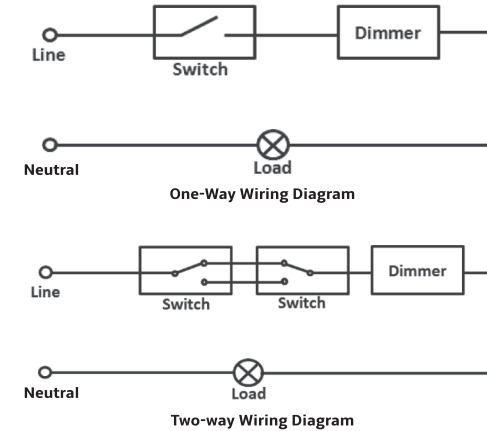
4.0 Electrical Specification

Parameter	Value
Nominal Operating Voltage	220-240 V ac
Nominal Operating Frequency	50 Hz / 60 Hz
Maximum Load	350 VA @ 1 Gang Derate for multi-gang applications
Minimum Load	10 VA
Dimming Technique	Trailing Edge Phase Control
Mounting Centres	84mm Australian Pattern Plate
Safety Compliance	AS/NZS 3100, AS/NZS 3133, IEC 60669-2-1
Specifications Typical @ 240 V ac 25	
Suitable for Indoor Use Only	
No User Serviceable Parts Inside	

5.0 Load Compatibility

Load Symbol	Compatible Loads	Maximum Load	Minimum Load
	Dimmable LED Lighting	150 W	10 W
	Incandescent Lighting 240 V Halogen Lamps	350 W	10 W
	Low Voltage Halogen Lighting with Electronic Transformers	350 VA	10 W

6.0 Wiring Diagram



NOTE:

- The LED dimmer series is designed for one way or two way operation as shown above
- Two or more dimmers cannot be connected in parallel or in series to control the same load from two different locations
- Dimmer mechanism wiring is NOT polarity sensitive

It is illegal for persons other than an appropriately licensed electrical contractor or other persons authorised by legislation to work on the fixed wiring of any electrical installation.

7.0 Installation

To connect the required lighting loads, follow the steps below:

<p>Step 1 Leave the dimmer connected, but remove the dimming knob from the dimming shaft</p>	<p>Step 2 Turn the dimmer shaft anti-clockwise until the available installation level is reached.</p>
<p>Step 3 Align the plane on the front face of the dimmer with the plane on the inside of the dimmer knob</p>	<p>Step 4 Push the dimmer knob back onto the shaft such that the plane remain aligned</p>

8.0 Warranty Statement

This product is covered by a 5 Year In House Warranty. Please see our website www.connectedswitchgear.com.au for more details.