



Programmable Time Delay Switch

Product information

LSTDER-L 2 Wire (Optional 3 Wire)

LSTDERB-L 2 Wire (Optional 3 Wire)

Specifications



Contact status	Normally open
Connection type	2 Wire with Optional 3 Wire
LED Indicator Colour	RED
Supply voltage	230-240Vac +/-10%
Frequency	50Hz
Max current	10amp
Over temp cutout Current	12amp
Max Load	2400W (Incandescent) 2400VA (Fluorescent)
Min Load	5W (when no neutral terminal)
Operating temperature	0 to 50 °C
Cycle timer range	30secs to 480 minutes
Factory setting	30secs
Compliance	AS/NZS 60669.2 SAA Approved

Features and Applications:

The time delay switch is capable of switching loads for a number preset programmable times from 30 seconds to 480 minutes. A total of 8 preset times are available depending on the micro-switch toggle settings. The time delay switch incorporates an LED indicator around the switch button to enable easy locating in dim lit areas. This unit can be used on most kinds of loads, with or without a neutral terminal connection.

This device incorporates a unique inrush current limiting design circuitry which limits the maximum current of loads to improve reliability.

Understanding the function of the time delay switch:

Our time delay switch is capable of being used in three different environments:

Type A – Start / Restart

Setting will commence programmed preset timing each time the button is pressed. In the event that the button is pressed again prior to the preset time out, the program will recommence timing again.

Type B – Start / Stop

Setting will commence programmed preset timing when the button has been pressed from the "Off" position. Once the programmed timing is running and the button is pressed again, the programmed timing will stop and power off the switch.

Type C – Start / Run On / Stop

Can only be performed when the Type C wiring diagram is installed (Refer to Fig. 4) and the Program Type is set to B. In this setting, the device performs a run on timer mode. Pressing the button once turns the load on for a maximum of two hours. Pressing the button a second time commences the configured run on timer setting. Pressing the button a third time turns the load off.

Note: Additional switching points cannot be used with type C operation.

Setting Program Type:



Bit 4	Program Type
A	Type A
B	Type B
B	Type C (Refer to Fig.4)

Program Time Out Setting:

Bit1	Bit2	Bit3	Time
0	0	0	30s
I	0	0	1m
0	I	0	5m
I	I	0	10m
0	0	I	30m
I	0	I	60m
0	I	I	120m
I	I	I	480m

LED Indications:

TYPE	Indication
Dimmed Solid	Off
Solid Single Flash	Time out period countdown
Solid Double Flash	Run on timer countdown
Continuous Flash	Off – Over temperature fault

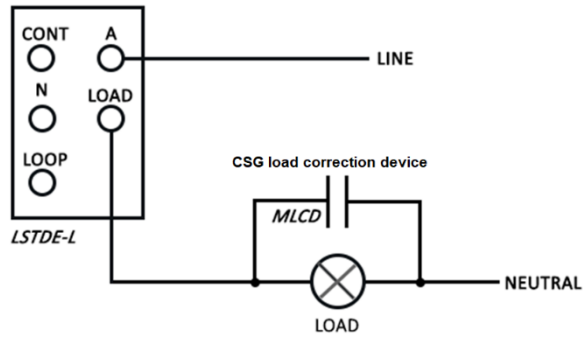
Notes for Installation:

- 1) As with all devices that do not have a neutral connection, for the unit to operate, a working load must be connected, and current passed through the load even when off. In various applications, a load correction device may be required. For instance, fluorescent and compact fluorescent and LED loads less than 5W may require a CSG load correction device (MLCD) wired across the load to provide power to the circuit in the off state or loads of inductive type (Refer to Fig. 1). Luminaries with power factor correction capacitor do not need additional load correctional device.
- 2) When no neutral connection is provided, Fluorescent light loads are restricted to electronic type ballasts, and low voltage transformers are restricted to electronic type only.
- 3) In installations where additional switching points requires the installation of a momentary press mechanism connected to the "CONT" terminal (Refer to Fig. 2).
Note: When using the Optional Control Switch, a momentary press mechanism must be used.
- 4) The maximum recommended length of the control wire to remote push buttons is 50m.
- 5) Optional wiring diagram for applications where connected loads require a higher current rating than the rated 10A using an external 240V AC auxiliary contact (Refer to Fig. 3)

Wiring Diagrams

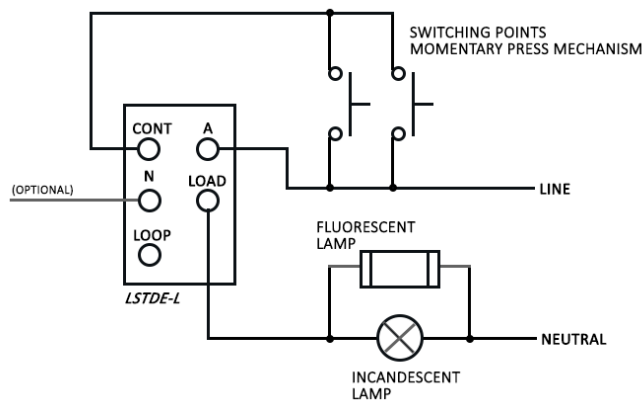
LOW WATTAGE 2 WIRE

FIG. 1



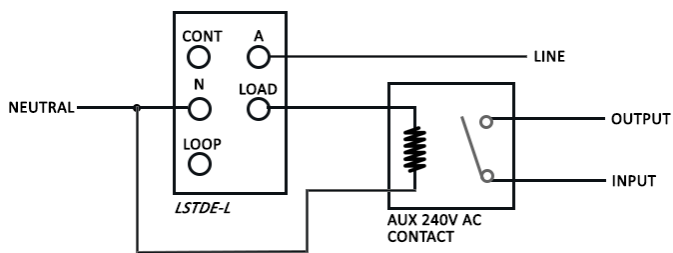
ADDITIONAL SWITCHING POINTS

FIG. 2



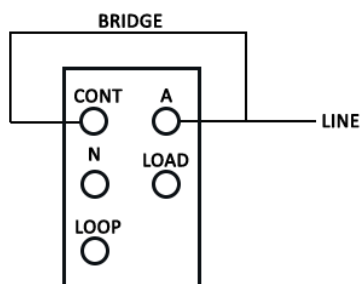
HIGH CURRENT

FIG. 3



TYPE C START / RUN ON / STOP

FIG. 4



This product is covered by an Inhouse warranty period of 5 years. Please visit www.connectedswitchgear.com for terms of warranty.
WARNING: Warranty will be voided unless a surge protection device is placed in the input side of time delay switch.