



IMPACT SERIES

IP67 Industrial Range CEE Form

Data Specification **2023**



AUSTRALIA WIDE DELIVERY
Expedited delivery to all states in Australia



SAME DAY DISPATCH
Orders prior to 12PM will be dispatched the same day



5 YEAR WARRANTY
You can get a trusted 5 Year In House Warranty with CSG

[DESCRIPTION]

STRAIGHT PLUGS

Connected Switchgears' new range of CEE Form IP67 rated switchgear - Straight plugs are manufactured to meet the demanding conditions associated with heavy industrial and maritime applications. Manufactured from impact and chemical resistant material to ensure it will resist harsh treatment in most environments. Colour coded to international CEE form standards. Currently available in 3 or 5 pin, 240V AC, 400V AC and 500V AC, 16A, 32A, 63A and 125A.

[FEATURES]

- Impact and Chemical Resistant
- CEE Form Specifications
- Available in 3 pin and 5 pin

[TECHNICAL PARAMETERS]

- IP Protection: IP67
- Rated Voltage: 240V/400V/500V AC
- Rated Frequency: 50/60Hz
- Operating Temp: -40°C - 80°C

[COMPLIANCE]

EN/IEC 60309-2

[IMAGES]



P363-240E



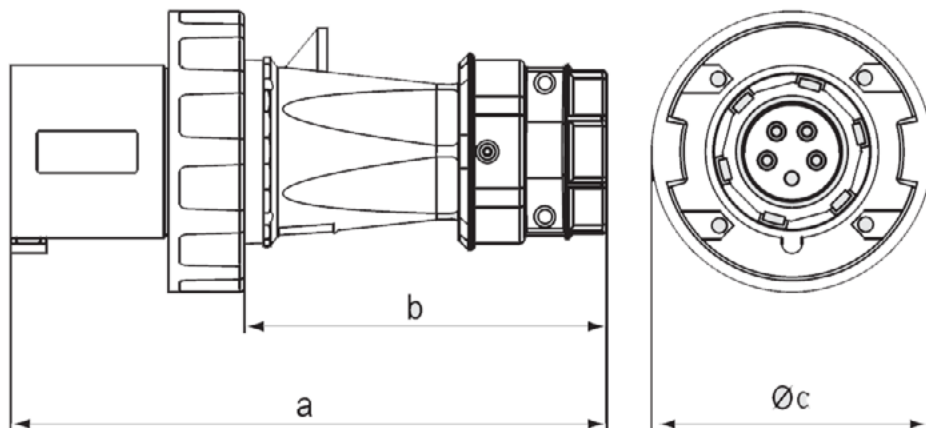
P5125-400E



P563-500E

[SPECIFICATIONS]

Product Code	Rating (Amps)	Voltage (V)	No. of Pins	Dimensions (mm)		
				A	B	C
P316-240E	16A	240	3	142	97	70
P316-400E	16A	400	3	142	97	70
P332-240E	32A	240	3	186	133	94
P332-400E	32A	400	3	186	133	94
P516-240E	16A	240	5	147	102	87
P516-400E	16A	400	5	147	102	87
P532-240E	32A	240	5	180	129	101
P532-400E	32A	400	5	180	129	101
P363-240E	63A	240	3	238	155	112
P363-400E	63A	400	3	238	155	112
P3125-240E	125A	240	3	291	210	131
P3125-400E	125A	400	3	291	210	131
P563-240E	63A	240	5	238	155	112
P563-400E	63A	400	5	238	155	112
P563-500E	63A	500	5	238	155	112
P5125-240E	125A	240	5	291	210	131
P5125-400E	125A	400	5	291	210	131



IMPACT IP67

[DESCRIPTION]

Connected Switchgears' new range of CEE Form IP67 rated switchgear - the extension sockets are built for tough Australian conditions and manufactured from impact and chemical resistant material to ensure it will resist any treatment in most industrial environments. Correctly colour coded to ensure international rating standards. Currently available in 3 pin and 5 pin, 16A, 32A, 63A and 125A, 240V AC, 400V AC or 500V.

[FEATURES]

- Impact and Chemical Resistant
- CEE Form Specifications
- Available in 3 pin and 5 pin

[TECHNICAL PARAMETERS]

- IP Protection: IP67
- Rated Voltage: 240V/400V/500V AC
- Rated Frequency: 50/60Hz
- Operating Temp: -40°C - 80°C

[COMPLIANCE]

EN/IEC 60309-2

[IMAGES]



PF3125-240E



PF563-400E

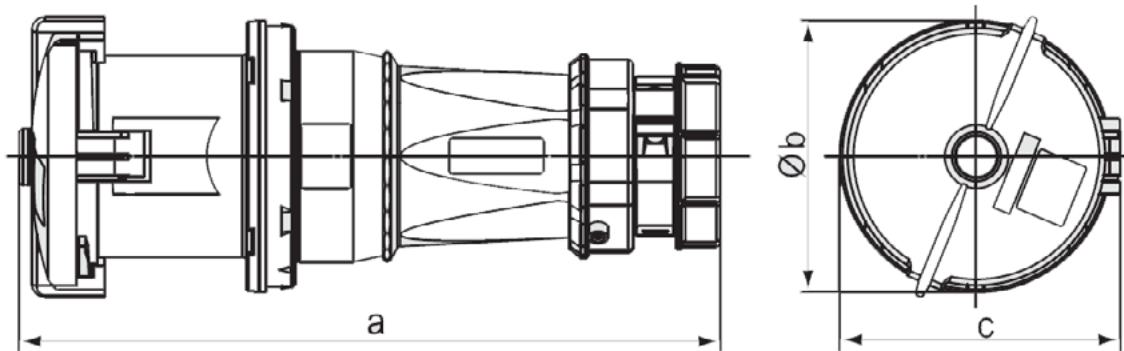


PF563-500E

IMPACT IP67

[SPECIFICATIONS]

Product Code	Rating (Amps)	Voltage (V)	No. of Pins	Dimensions (mm)		
				A	B	C
PF316-240E	16A	240	3	146	72	80
PF316-400E	16A	400	3	146	72	80
PF332-240E	32A	240	3	212	96	98
PF332-400E	32A	400	3	212	96	98
PF516-240E	16A	240	5	172	89	95
PF516-400E	16A	400	5	172	89	95
PF532-240E	32A	240	5	213	102	105
PF532-400E	32A	400	5	213	102	105
PF363-240E	63A	240	3	270	113	12
PF363-400E	63A	400	3	270	113	123
PF3125-240E	125A	240	3	310	125	135
PF3125-400E	125A	400	3	310	125	135
PF563-240E	63A	240	5	270	113	123
PF563-400E	63A	400	5	270	113	123
PF563-500E	63A	500	5	270	113	123
PF5125-240E	125A	240	5	310	125	135
PF5125-400E	125A	400	5	310	125	135
PF5125-500E	125A	500	5	310	125	135



IMPACT IP67

[DESCRIPTION]

WALL MOUNTED SOCKETS

Connected Switchgears' new range of CEE Form IP67 rated switchgear - the wall mounted sockets are built for tough Australian conditions and manufactured from impact and chemical resistant material to ensure it will resist any treatment in most industrial environments. Correctly colour coded to ensure international rating standards. Currently available in 3 pin and 5 pin, 63A and 125A, 240V AC or 400V AC.

[FEATURES]

- Impact and Chemical Resistant
- CEE Form Specifications
- Available in 3 pin and 5 pin

[TECHNICAL PARAMETERS]

- IP Protection: IP67
- Rated Voltage: 240V/400V AC
- Rated Frequency: 50/60Hz
- Operating Temp: -40°C - 80°C

[COMPLIANCE]

EN/IEC 60309-2

[IMAGES]



SO3125-240E



SO363-400E

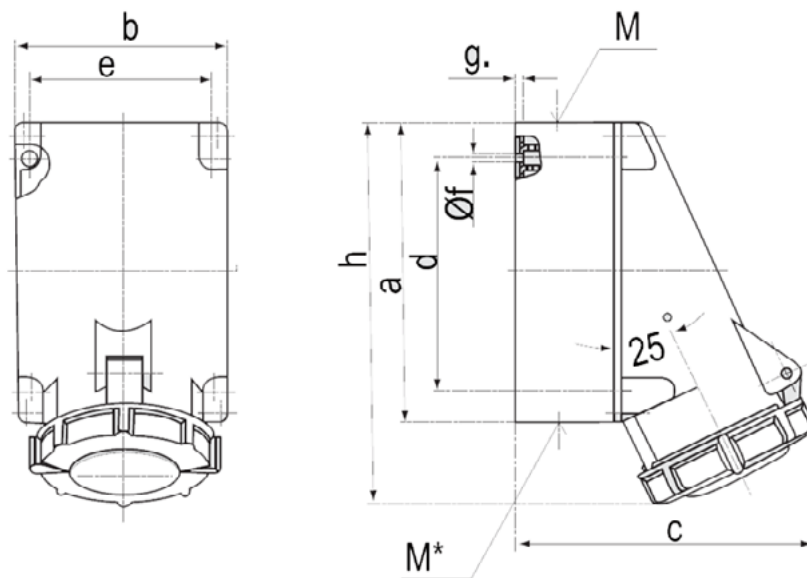
IMPACT IP67

[SPECIFICATIONS]

Product Code	Rating (Amps)	Voltage (V)	No. of Pins
SO363-240E	63A	240	3
SO363-400E	63A	400	3
SO3125-240E	125A	240	3
SO3125-400E	125A	400	3
SO563-240E	63A	240	5
SO563-400E	63A	400	5
SO5125-240E	125A	240	5
SO5125-400E	125A	400	5

DIMENSIONS (mm)

	A	B	C	D	E	F	G.	H	M	M*
63A	170	118	171	134.5	103	6.1	6	216	40	2xM40
125A	264	163	203	240	140	8.1	8	313	50	50



IMPACT IP67

[DESCRIPTION]

PANEL SOCKET OUTLETS

Connected Switchgears' new range of CEE Form IP67 rated switchgear - Panel Socket Outlets are manufactured to meet the demanding conditions associated with heavy industrial and maritime applications. Manufactured from impact and chemical resistant material to ensure it will resist harsh treatment in most environments. Colour coded to international CEE form standards. Currently available in 3 and 5 pin, 240V AC and 400V, 16A, 32A, 63A and 125A.

[FEATURES]

- Impact and Chemical Resistant
- CEE Form Specifications
- Available in 3 pin and 5 pin

[TECHNICAL PARAMETERS]

- IP Protection: IP67
- Rated Voltage: 240V/400V AC
- Rated Frequency: 50/60Hz
- Operating Temp: -40°C - 80°C

[COMPLIANCE]

EN/IEC 60309-2

[IMAGES]



PS363-240E



PS5125-400E

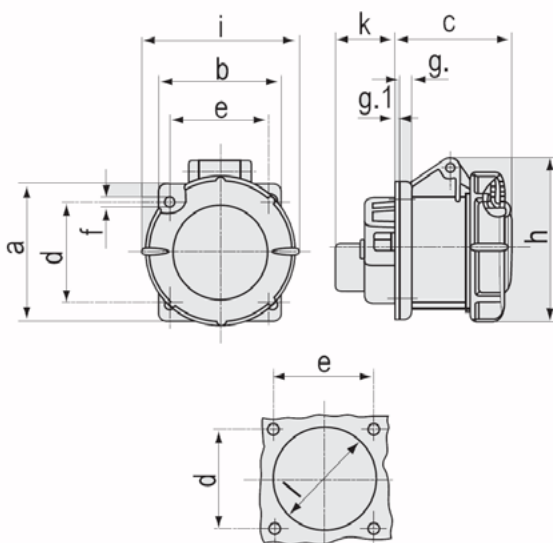
IMPACT IP67

[SPECIFICATIONS]

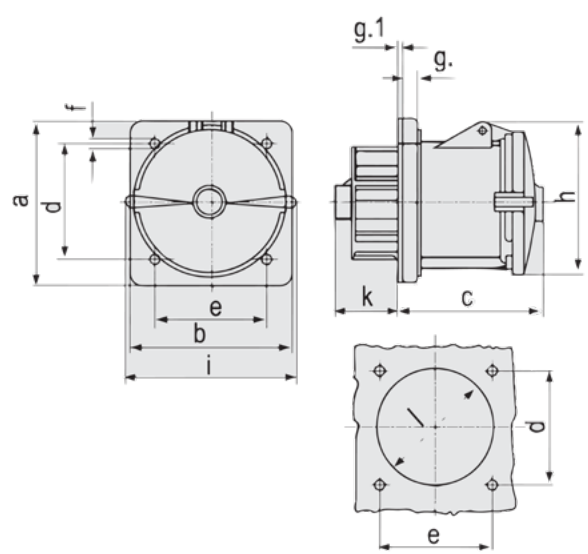
Product Code	Rating (Amps)	Voltage (V)	No. of Pins
PS316-240E	16A	240	3
PS316-400E	16A	400	3
PS332-240E	32A	240	3
PS332-400E	32A	400	3
PS516-240E	16A	240	5
PS516-400E	16A	400	5
PS532-240E	32A	240	5
PS532-400E	32A	400	5
PS363-240E	63A	240	3
PS363-400E	63A	400	3
PS3125-240E	125A	240	3
PS3125-400E	125A	400	3
PS563-240E	63A	240	5
PS563-400E	63A	400	5
PS5125-240E	125A	240	5
PS5125-400E	125A	400	5

DIMENSIONS (mm)

	A	B	C	D	E	F	G.	G.1	H	I	K	L
3P 16A	75	75	60	60	60	5.5	8	2	83	78	30	50
5P 16A	75	75	61	60	60	5.5	8	2	95	96	30	57
3P 32A	85	75	70	60	60	5.5	8	2	99	103	38	62
5P 32A	85	75	72	60	60	5.5	8	2	105	110	38	65
63A	107	100	84	85	77	6.5	12	2	113	118	55	94
125A	130	130	124	104	104	6.5	18	2	122	135	48	95



Dimensions for 63A Socket Outlets



Dimensions for 125A Socket Outlets

IMPACT IP67

[DESCRIPTION]

ANGLED PANEL SOCKET OUTLETS

Connected Switchgears' new range of CEE Form IP67 rated switchgear - Angled panel socket outlets are manufactured to meet the demanding conditions associated with heavy industrial and maritime applications. Manufactured from impact and chemical resistant material to ensure it will resist harsh treatment in most environments. Colour coded to international CEE form standards. Currently available in 3 or 5 pin, 240V AC or 400V AC, 16A, 32A, 63A or 125A.

[FEATURES]

- Impact and Chemical Resistant
- CEE Form Specifications
- Available in 3 pin and 5 pin

[TECHNICAL PARAMETERS]

- IP Protection: IP67
- Rated Voltage: 240V/400V AC
- Rated Frequency: 50/60Hz
- Operating Temp: -40°C - 80°C

[COMPLIANCE]

EN/IEC 60309-2

[IMAGES]



PSA363-240E



PSA3125-400E

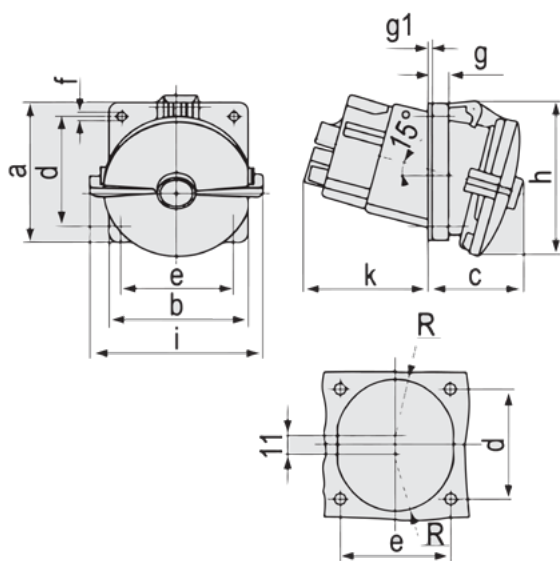
IMPACT IP67

[SPECIFICATIONS]

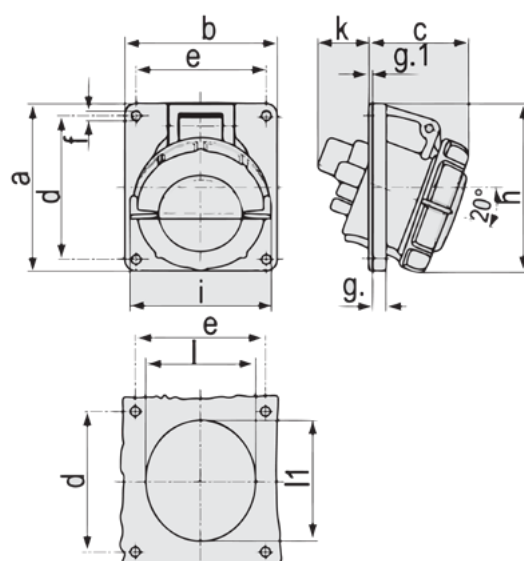
Product Code	Rating (Amps)	Voltage (V)	No. of Pins
PSA316-240E	16A	240	3
PSA316-400E	16A	400	3
PSA332-240E	32A	240	3
PSA332-400E	32A	400	3
PSA516-240E	16A	240	5
PSA516-400E	16A	400	5
PSA532-240E	32A	240	5
PSA532-400E	32A	400	5
PSA363-240E	63A	240	3
PSA363-400E	63A	400	3
PSA3125-240E	125A	240	3
PSA3125-400E	125A	400	3
PSA563-240E	63A	240	5
PSA563-400E	63A	400	5
PSA5125-240E	125A	240	5
PSA5125-400E	125A	400	5

DIMENSIONS (mm)

	A	B	C	D	E	F	G.	G.1	H	I	K	L	L1
3P 16A	73	64	52	60	52	5.3	7	2	84	78	41	52	60
5P 16A	100	92	62	85	77	5.3	7	2	105	96	35	65	72
3P 32A	100	92	64	85	77	5.3	8	2	109	103	54	70	82
5P 32A	100	92	66	85	77	5.3	8	2	113	110	54	73	86
63A	110	106	85	85	77	6.2	12	2	125	117	69	90	103
125A	114	110	85	90	90	6.2	13	2	135	135	103	47	-



Dimensions for 63A Socket Outlets



Dimensions for 125A Socket Outlets

IMPACT IP67

[DESCRIPTION]

Connected Switchgears' new range of CEE Form IP67 rated switchgear - Panel mounted inlets are manufactured to meet the demanding conditions associated with heavy industrial and maritime applications. Manufactured from impact and chemical resistant material to ensure it will resist harsh treatment in most environments. Colour coded to international CEE form standards. Currently available in 3 or 5 pin, 240V AC or 400V AC, 16A, 32A, 63A or 125A.

[FEATURES]

- Impact and Chemical Resistant
- CEE Form Specifications
- Available in 3 pin and 5 pin

[TECHNICAL PARAMETERS]

- IP Protection: IP67
- Rated Voltage: 240V/400V AC
- Rated Frequency: 50/60Hz
- Operating Temp: -40°C - 80°C

[COMPLIANCE]

EN/IEC 60309-2

[IMAGES]



PI363-240E



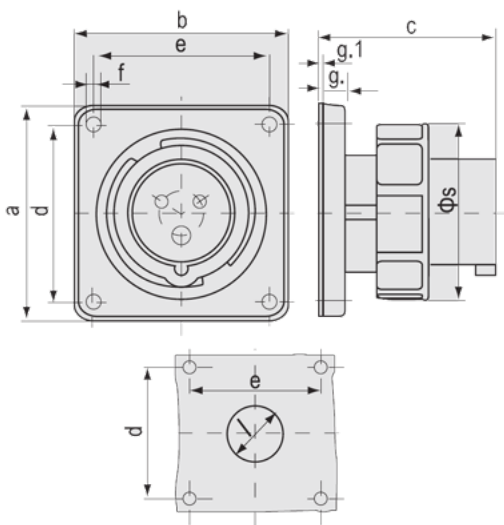
PI5125-400E

[SPECIFICATIONS]

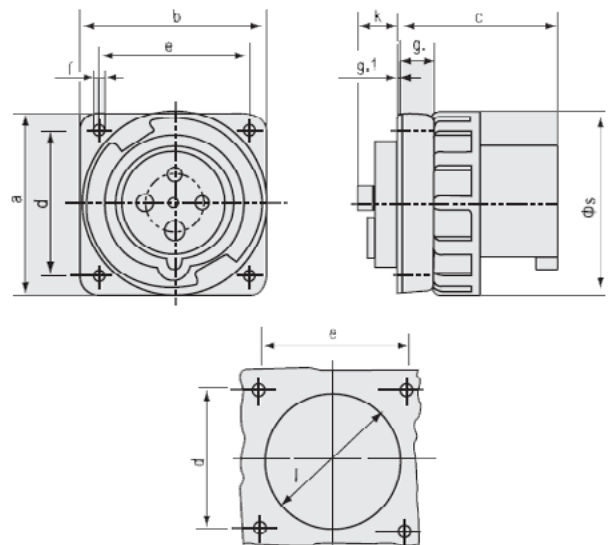
Product Code	Rating (Amps)	Voltage (V)	No. of Pins
PI316-240E	16A	240	3
PI316-400E	16A	400	3
PI332-240E	32A	240	3
PI332-400E	32A	400	3
PI516-240E	16A	240	5
PI516-400E	16A	400	5
PI532-240E	32A	240	5
PI532-400E	32A	400	5
PI363-240E	63A	240	3
PI363-400E	63A	400	3
PI3125-240E	125A	240	3
PI3125-400E	125A	400	3
PI563-240E	63A	240	5
PI563-400E	63A	400	5
PI5125-240E	125A	240	5
PI5125-400E	125A	400	5

DIMENSIONS (mm)

	A	B	C	D	E	F	G.	G.1	I	S	K
3P 16A	85	85	72	69	69	5.5	11	2	50	71	-
5P 16A	85	85	72	69	69	5.5	11	2	50	89	-
3P 32A	85	85	90	69	69	5.5	11	2	50	94	-
5P 32A	85	85	90	69	69	5.5	11	2	50	102	-
63A	110	106	86	90	90	5.5	11	2	28	68	113
125A	130	130	112	104	104	6.5	18	2	28	95	132



Dimensions for 16A & 32A Socket Outlets



Dimensions for 63A & 125A Socket Outlets

IMPACT IP67

[DESCRIPTION]

COMBINATION SWITCHED OUTLET

Connected Switchgears' new range of CEE Form IP67 rated switchgear - Panel mounted inlets are manufactured to meet the demanding conditions associated with heavy industrial and maritime applications. Manufactured from impact and chemical resistant material to ensure it will resist harsh treatment in most environments. Colour coded to international CEE form standards. Currently available in 5 pin, 240V, 400V and 500V, 16A, 32A and 63A.

[FEATURES]

- Impact and Chemical Resistant
- CEE Form Specifications
- Available in 5 Pin only

[TECHNICAL PARAMETERS]

- IP Protection: IP67
- Rated Voltage: 240V/400V/500V AC
- Rated Frequency: 50/60Hz
- Operating Temp: -40°C - 80°C

[COMPLIANCE]

EN/IEC 60309-2

[IMAGES]



CS516-240E



CS563-400E



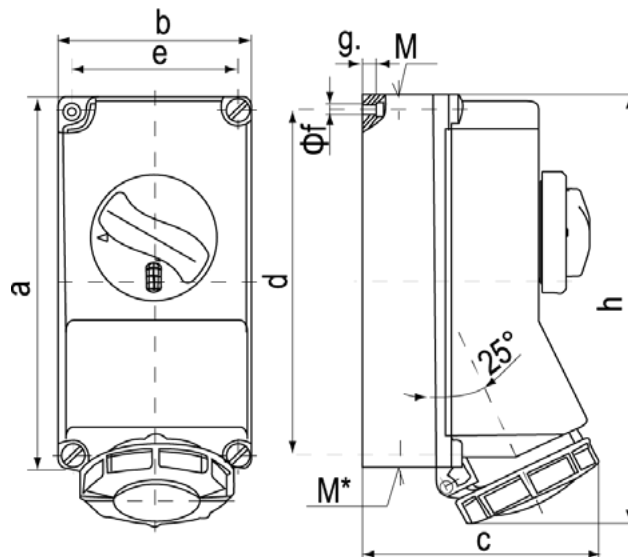
CS563-500E

IMPACT IP67

[SPECIFICATIONS]

Product Code	Rating (Amps)	Voltage (V)	No. of Pins
CS516-240E	16A	240	5
CS516-400E	16A	400	5
CS532-240E	32A	240	5
CS532-400E	32A	400	5
CS563-400E	63A	400	5
CS563-500V	63A	500	5

DIMENSIONS (mm)										
	A	B	C	D	E	F	G	H	M	M*
3P 16A	225	118	144	208	101	6.3	8	252	2x32	2x25
5P 16A	225	118	147	208	101	6.3	8	259	2x32	2x25
3P 32A	225	118	152	208	101	6.3	8	268	2x32	2x25
5P 32A	225	118	153	208	101	6.3	8	274	2x32	2x25
63A	264	163	196	240	140	8.1	8	300	40	2x40



IMPACT IP67

[SPECIFICATIONS]

KEY WAY HOUR POSITION			
	3P	4P	5P
240V	6h	9h	9h
400V	9h	6h	6h
500V	7h	7h	7h

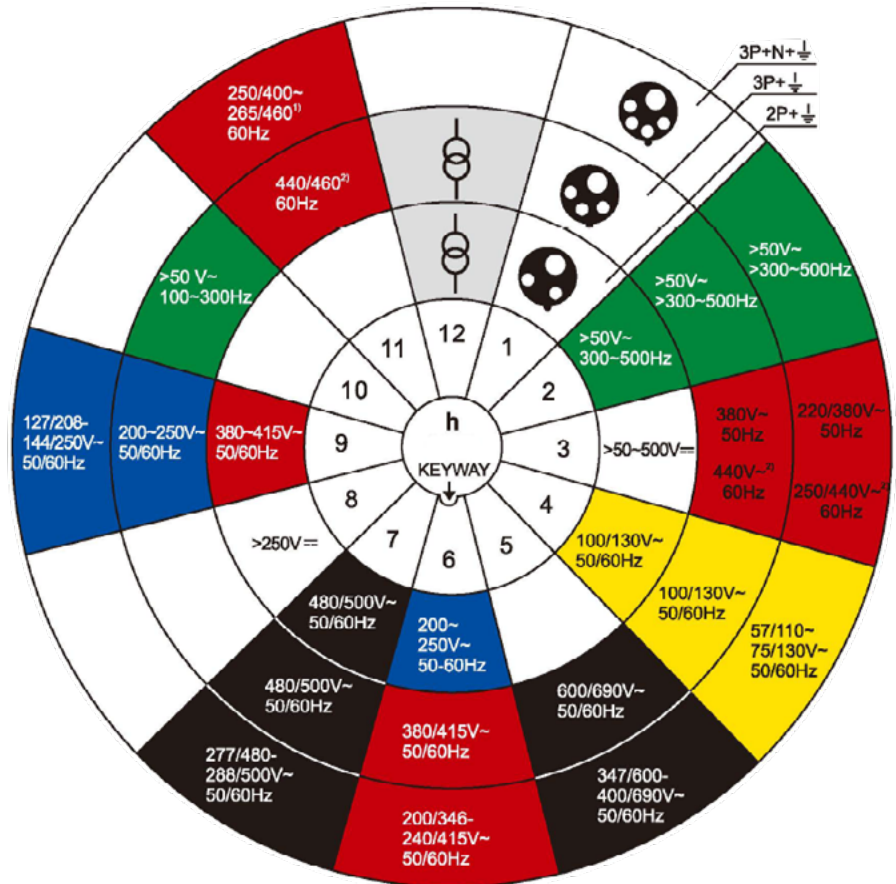
Plug and receptacles with rated voltages above 50V must have an earth contact. Use "clock face number" plus "h" to indicate earth contact position.

Receptacle and connector "clock" position: Receptacle or connector keyway point to 6 o'clock position. The position of receptacle and connector earth contact is given as a clock face number.

The colour codes correspond to the nominal voltage and frequency in accordance with CEE/IEC 60309-1/2 and EN/IEC 60309-1/2.

The diameter of the earth contact pin is larger than that of the phase contact pins which prevents incorrect insertion.

Plugs and receptacles have detailed marks for rated current, voltage, frequency, earth contact and key way.



[WARRANTY]

Connected Switchgear IMPACT CEE Form series of product come with a trusted 5 Year In House Warranty. That means that you have peace of mind knowing that if a fault develops within a five year period, Connected Group Australia will cover the cost of replacing the product and it's installation.*

* See our website for full terms and conditions www.connectedswitchgear.com.au

IMPACT IP67